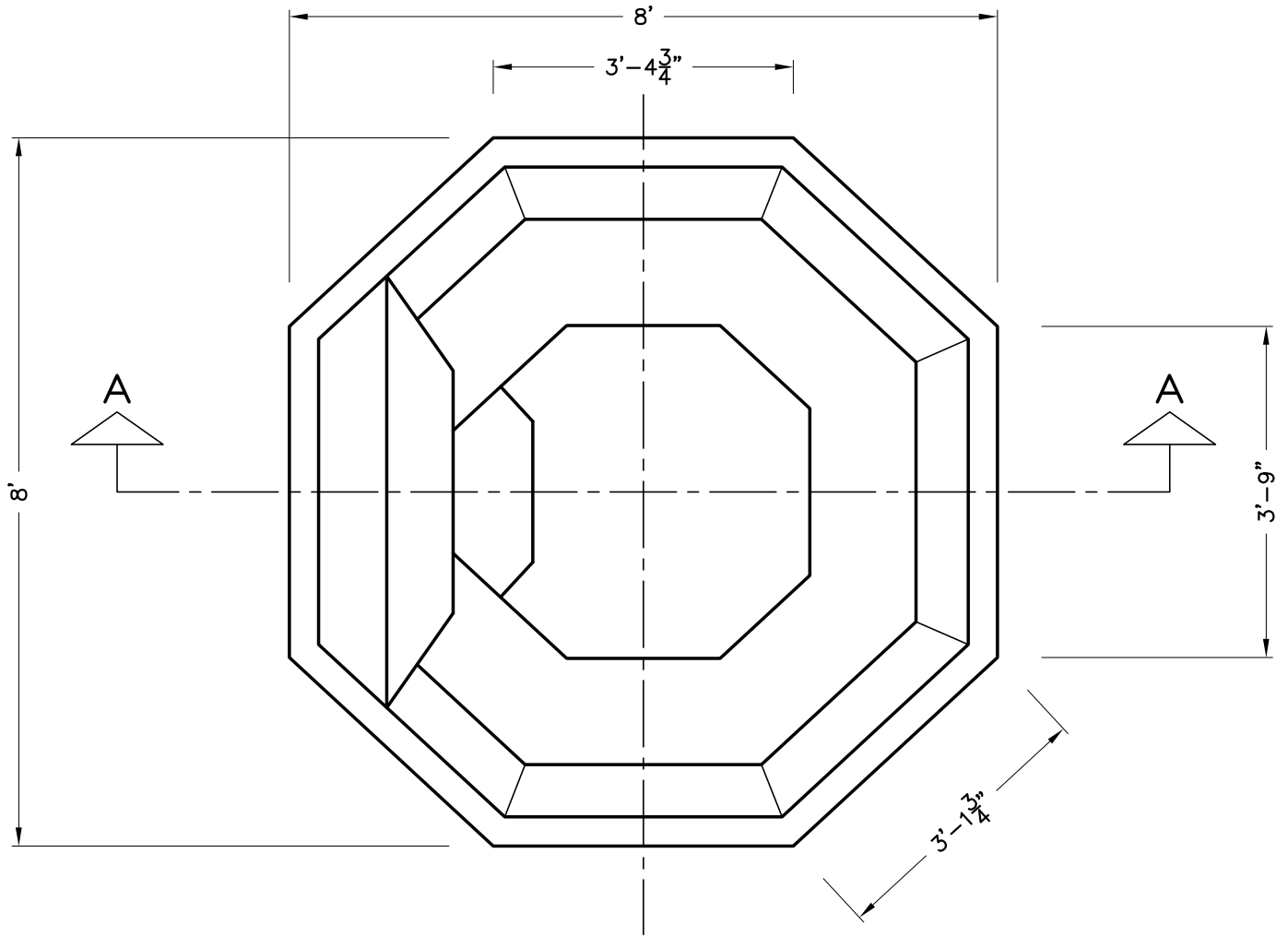


STARLIGHT SPA

SCALE 1/2" = 1'-0"



CROSS SECTION A-A

